

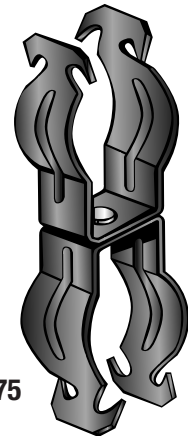
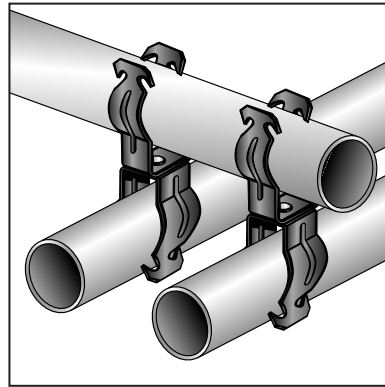
CONDUIT TO CONDUIT TRAPEZE ASSEMBLY

- No fastener required.
- Designed to quickly secure one conduit run to another.

NOTE: Top conduit to be used for support only, not a raceway.

| Connects Conduit | | Part # | Std Pkg |
|------------------|-----------|------------------|---------|
| EMT | Rigid/IMC | | |
| ½ to ½ | — | HIC5050 ★ | 100 |
| ½ to ¾ | — | HIC5075 ★ | 100 |
| ¾ to ¾ | ½ to ½ | HIC7575 ★ | 100 |

★ Made in USA

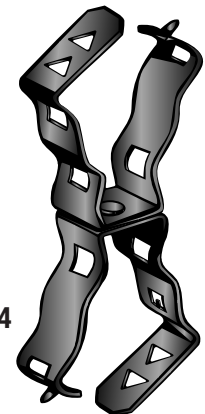
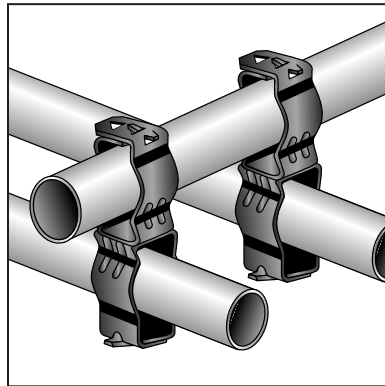


HIC7575

- Total load of trapeze must not exceed 100lbs.
- No fastener required.
- Designed to quickly secure one conduit run to another.

| Connects Conduit | Part # | Std Pkg |
|------------------|-----------------------|---------|
| ¾ to 1 | KC38KC1 ★ | 100 |
| ¾ to ½ or ¾ | KC38KC1234 ★ | 100 |
| ½ or ¾ to ½ or ¾ | KC1234KC1234 ★ | 100 |

★ Made in USA



KC1234KC1234